



PES-230-PW



Features

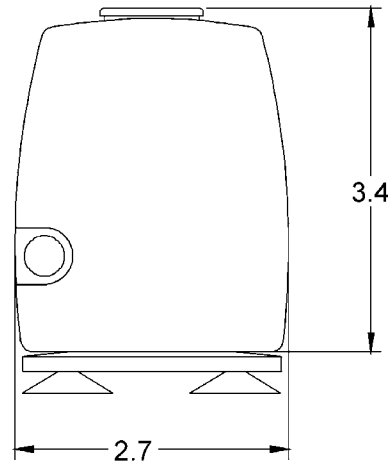
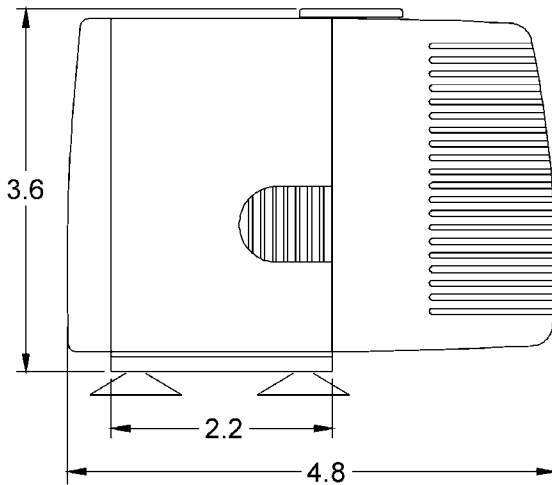
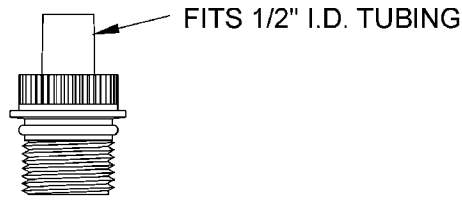
- Environmentally safe, oil-less
- Energy efficient
- Corrosion resistant body
- 15' Cord
- 8' maximum lift
- 18 watts
- Discharge adaptor accepts 1/2" I.D. tubing

Construction

- Motor — Wet-rotor (hysteresis) epoxy encapsulated
- Intermittent Liquid Temp. up to — 120°F
- Discharge — 1/2" MNPT
- Housing — ABS
- Cover — ABS
- Volute — ABS
- Impeller — POM
- Screen — ABS

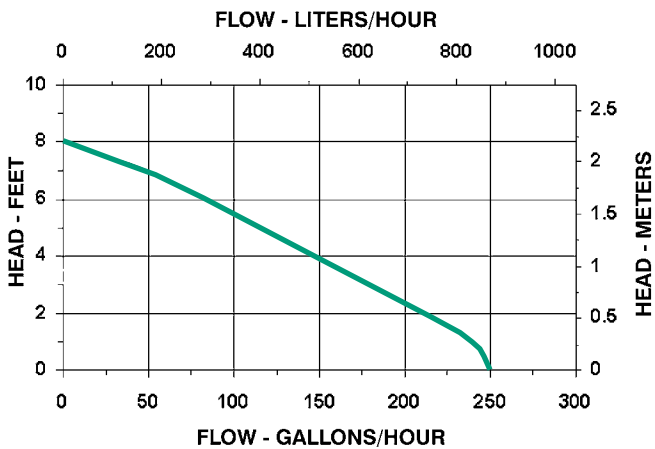
PondWorks® statuary and fountain pumps are designed to enhance your water gardening experience, providing you with beauty and serenity through the sights and sounds of a waterfall, stream or fountain spray nozzle. The mag drive pumps are designed to operate with minimal energy consumption, resulting in low operating costs. The compact size is ideal for use in statuary and fountains of all sizes, as well as limited space applications. PondWorks® statuary and fountain pumps are designed for submersible use and continuous operation, providing you with low maintenance and peace of mind.

PES-230-PW



Specifications

Model No.	Item No.	Discharge	Listings	Volts	Hertz	Amps	Watts	Performance (GPH @ Head)			Feet	PSI	Pwr. Cord (ft.)	Weight (lbs.)	Height	Length	Width
								1'	3'	5'							
PES-230-PW	566293	1/2" Slip	cULus	120	60	0.4	18	240	180	115	8	3.5	15	3.33	3.8	4.8	2.7



Little Giant

PO Box 12010 • Oklahoma City, OK 73157
 Phone: 888.956.0000 • Fax: 800.701.8046
 E-mail: customerservice@littlegiant.com